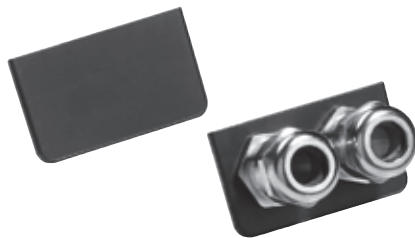




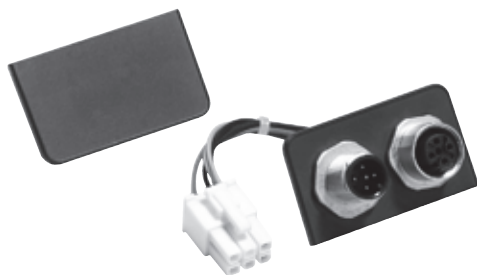
VW3L10100N●



VW3L10000N●●



VW3L10222



VW3L1R000



VW3L10111

Installation accessories

Description	Sold in lots of	Reference	Weight kg
Cable entries			
For up to 4 cables with a diameter of 3 to 9 mm.	2	VW3L10100N2	—
Two cable entries per integrated drive system are required. The cable entries are for sealing, strain relief and shield connection.	10	VW3L10100N10	—

Insert for sealing IP 54

For closing the cutouts for the inserts.	10	VW3L10000N10	—
	20	VW3L10000N20	—
	50	VW3L10000N50	—

Cable entry IP 54

1 insert for variable use for signals and power supply via 2 x M16 cable entries and 1 insert for sealing (IP 54).	1	VW3L10222	—
--	---	-----------	---

For two cables with a diameter of 5 to 9 mm.

Insert for commissioning interface

1 insert for connection of RS 485 (IN/OUT) with circular connector and 1 insert for sealing (IP 54).	1	VW3L1R000	—
--	---	-----------	---

Contents:

- 1 insert
- 1 M12 socket (5 poles)
- 1 M12 plug (5 poles)
- 1 insert for sealing

Suitable accessories

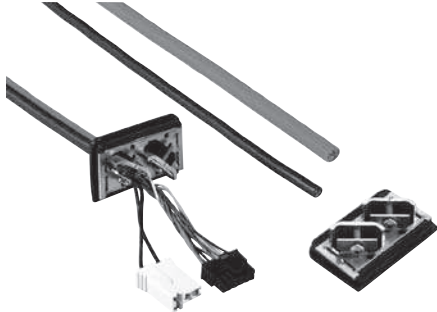
CANopen/RS 485 connector kit	1	VW3L5F000	—
------------------------------	---	-----------	---

Installation kit

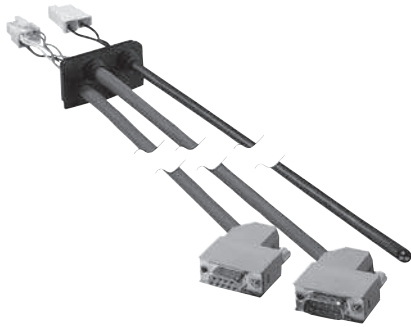
Installation kit for customised cabling of fieldbus, power supply and "Safe Torque Off" safety function ("Power Removal")	1	VW3L10111	—
---	---	-----------	---

Contents:

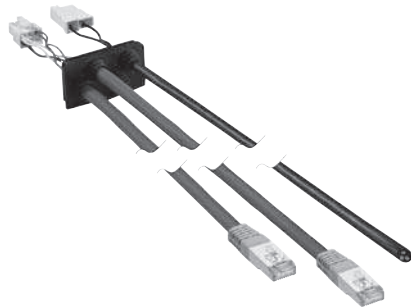
- Cable entries
- Crimp contacts
- Crimp connectors
- Connector housings
- Shielding foil



VW3L2U001R00



VW3L2001R30



VW3L203001

Accessories for Lexium integrated drives with printed circuit board connectors

Description	Length m	Reference	Weight kg
Cable kit for Lexium integrated drives ILS1 with pulse/direction interface			
Cable equipped with:	3	VW3L2U001R30	–
■ Drive end of cable pre-assembled and with strain relief.	5	VW3L2U001R50	–
For power supply and pulse/direction signals or A/B signals.	10	VW3L2U001R100	–
	15	VW3L2U001R150	–
■ Other cable end open.	20	VW3L2U001R200	–

Cable kits for fieldbus interfaces (CANopen, PROFIBUS DP, RS 485, DeviceNet) and power supply

Cable equipped with:	CANopen	3	VW3L2F001R30	–
■ Drive end of cable pre-assembled and with strain relief	PROFIBUS DP	3	VW3L2B001R30	–
	RS 485	3	VW3L2R001R30	–
For power supply and fieldbus.	DeviceNet	3	VW3L2D001R30	–
■ Other cable end: power supply open, fieldbus with SubD (9 poles)				

Cable kits for fieldbus interfaces (power supply, EtherCAT, Ethernet Powerlink, Modbus TCP)

Cable equipped with:	EtherCAT	3	VW3L2E03001	–
■ Drive end of cable pre-assembled and with strain relief.	Ethernet	3	VW3L2P03001	–
For power supply and fieldbus.	Powerlink			
	Modbus TCP	3	VW3L2T03001	–
■ Other cable end: power supply open, fieldbus with RJ45				



VW3L2M001R●●



VW3L2M211R●●



VW3L40300



VW3L40210

Accessories for Lexium integrated drives with printed circuit board connectors (continued)

Description	Length m	Reference	Weight kg
Cable kit for Lexium integrated drives ILS1 with I/O interface for motion sequence			
Cable equipped with:	3	VW3L2M001R30	—
■ Drive end of cable pre-assembled and with strain relief, for data set mode.	5	VW3L2M001R50	—
For power supply and I/O signals.	10	VW3L2M001R100	—
■ Other cable end open.	15	VW3L2M001R150	—
	20	VW3L2M001R200	—

Cable kit for Lexium integrated drives with motion sequence and insert with 2 I/O, 1 STO

Cable equipped with:	3	VW3L2M211R30	—
■ Drive end of cable pre-assembled and with strain relief, for data set mode.	5	VW3L2M211R50	—
For power supply and I/O signals.	10	VW3L2M211R100	—
■ Other cable end open.	15	VW3L2M211R150	—
	20	VW3L2M211R200	—

Additional insert equipped with:

- 2 I/O and 1 "Safe Torque Off" via M8 circular connector.

Accessories for Lexium integrated drives with industrial connectors

Insert for 3 I/O signals

Contents:	VW3L40300	—
■ 1 insert with 3 M8 sockets (3 poles) for connection of 3 I/O signals		
■ 1 blind insert		

Suitable accessories

Connector kit 3 I/O	VW3L50300	—
---------------------	-----------	---

Inserts for 2 I/O signals and signals for "Safe Torque Off" safety function ("Power Removal")

Contents:	VW3L40210	—
■ 1 insert		
□ 2 M8 sockets (3 poles) for connection of 2 I/O signals		
□ 1 M8 plug (4 poles) for connection of signals for Safe Torque Off		
■ 1 insert for sealing (IP 54)		

Suitable accessories

Connector kit 2 I/O	VW3L50200	—
Cable (STO M8x4)	VW3L30010R●●●	—



VW3L400200



VW3L50200



VW3L50300



VW3L50010

Accessories for Lexium integrated drives with industrial connectors (continued)

Description	Reference	Weight kg
Insert with 2 signals for "Safe Torque Off" safety function ("Power Removal")		
Contents: <ul style="list-style-type: none"> ■ 2 M8 plugs (4 poles) for connection of signals for Safe Torque Off ■ 1 blind insert 	VW3L400200	—
Suitable accessories		
Cable for STO"	VW3L30010R●●●	—

Connector kit 2 I/O

Connector kit for assembly of cables for 2 I/O signals	VW3L50200	—
Contents: <ul style="list-style-type: none"> ■ 2 M8 circular connector (3-pin) 		

Connector kit 3 I/O

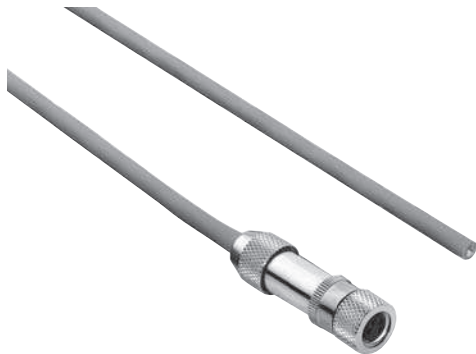
Connector kit for assembly of cables for 3 I/O signals	VW3L50300	—
Contents: <ul style="list-style-type: none"> ■ 3 M8 circular connector (3 poles) 		

Connector 1 STO output

Connector for assembly of cables for transmitting the signals for the "Safe Torque Off" safety function ("Power Removal")	VW3L50010	—
Contents: <ul style="list-style-type: none"> ■ 1 M8 circular connector (4-pin) 		



VW3L30001R●●



VW3L30010R●●



VW3L5B000



VW3L5F000

Accessories for Lexium integrated drives with industrial connectors (continued)

Description	Length m	Reference	Weight kg
Cable (power supply, STAK)			
For connection of power supply; for drag chain applications; complies with DESINA standard This cable is suitable only for Lexium integrated drives with fieldbus interface.	3	VW3L30001R30	—
	5	VW3L30001R50	—
	10	VW3L30001R100	—
	15	VW3L30001R150	—
	20	VW3L30001R200	—

Cable (STO M8x4)

Cable with M8 socket (4 poles) for connection of signals for "Safe Torque Off" safety function ("Power Removal")	3	VW3L30010R30	—
	5	VW3L30010R50	—
	10	VW3L30010R100	—
	15	VW3L30010R150	—
	20	VW3L30010R200	—

Connector kits for IL●1 for PROFIBUS DP

For assembly of PROFIBUS DP cables	VW3L5B000	—
Contents:		
■ 1 M12 circular connector (B-coded)		
■ 1 M12 circular socket (B-coded)		
■ 1 M12 protective cap		

Connector kits for IL●1 for CANopen / RS 485

For assembly of CANopen cables or RS 485 cables	VW3L5F000	—
Contents:		
■ 1 M12 circular connector (A-coded)		
■ 1 M12 circular socket (A-coded)		
■ 1 M12 protective cap		



VW3L5E000



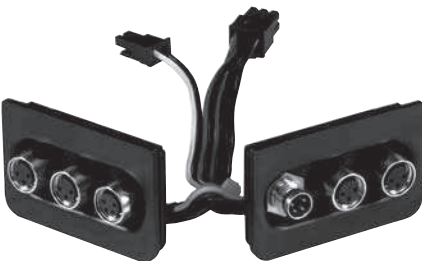
VW3L5P000



VW3L5D000



VW3L5T000



VW3L40420

Accessories for Lexium integrated drives with industrial connectors (continued)

Description	Reference	Weight kg
-------------	-----------	-----------

Connector kit EtherCAT

For assembly of EtherCAT cables

VW3L5E000

Contents:

- 2xM12 circular connector (D-coded, 4 poles)
- 1 M12 protective cap

Connector kit Ethernet Powerlink

For assembly of Ethernet Powerlink cables

VW3L5P000

Contents:

- 2xM12 circular connector (D-coded, 4 poles)
- 1 M12 protective cap

Socket DeviceNet

Socket DeviceNet M12, 5 poles, female, A coded

VW3L5D000

Socket Modbus TCP

Socket Modbus TCP M12 (D-coded, 4 poles), female

VW3L5T000

Inserts with 4 I/O signals and 2 signals for "Safe Torque Off" safety function ("Power Removal")

Contents:

VW3L40420

- 1 insert
- 2 M8 sockets (3 poles) for connection of 2 I/O signals
- 1 M8 plug (4 poles) for connection of signals for "Safe Torque Off"
- 1 insert
- 2 M8 sockets (3 poles) for connection of 2 I/O signals
- 1 M8 socket (4 poles) for transmitting the signals for "Safe Torque Off"

Suitable accessories

Connector kit 2 I/O (2x)	VW3L50200	—
STO connector	VW3L50010	—
Cable (STO M8x4)	VW3L30010R●●●	—